

L LABORATORY

P PROCESS

S SOFTWARE

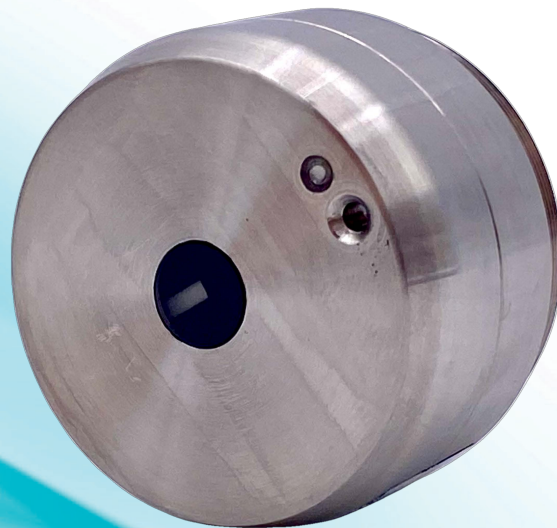
A AUTOMATION



**SCHMIDT
HAENSCH**
innovators by tradition since 1864

Customizable Concentration Sensor

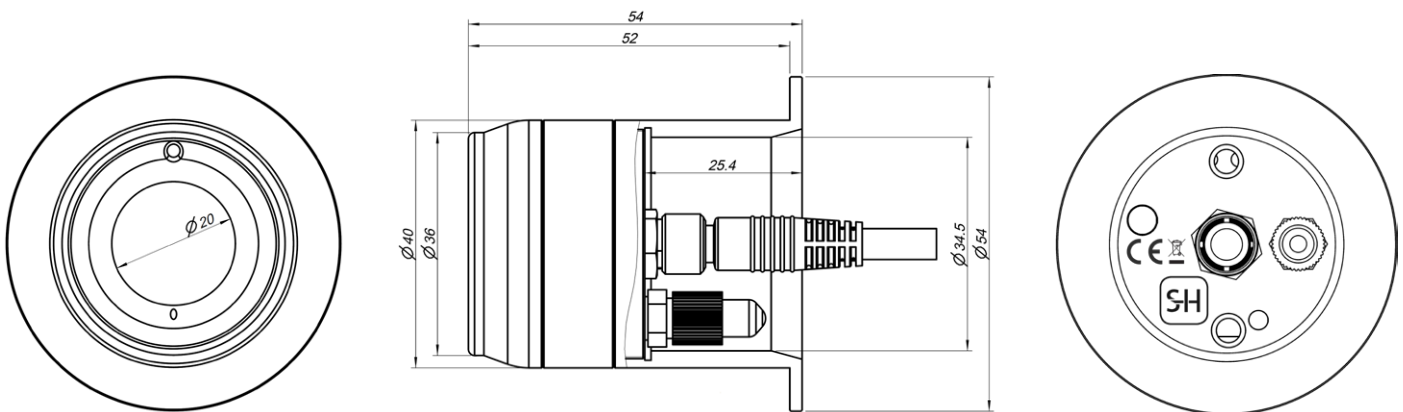
by SCHMIDT + HAENSCH



SPECIFICATIONS

CONCENTRATION SENSOR

Measuring scales	Measuring scales upon request - specific to an individual application
Process pressure	max. 4 bar
Operating temperature	- 10 °C to + 50 °C
Environmental temperature	-40 °C to +65 °C
Storage temperature	-15 °C to 75 °C (recommended 5 °C - 35 °C, dry)
Wetted parts	Sapphire, stainless steel
Interfaces	RS485 (4 pin M8 plug)
Power supply	12-28 VDC
Current	max. 30 mA (at 24 V)
IP class	IP67
Process pressure (max.)	100 kPa (14,5 psi, 1 bar), max. 4 bar
Weight	220 g
Diameter	40 mm (DN40), handle diameter 54 mm
Engineering	Engineering costs depend on application and installation - engineering costs beared by client
Number of units	purchase quantity is required



**SCHMIDT
HAENSCH**
innovators by tradition since 1864

SCHMIDT + HAENSCH GmbH & Co.
Waldstraße 80-81, 13403 Berlin, Germany
Tel: +49 (0 30) 417072-0, Fax: +49 (0 30) 417072-99
sales@schmidt-haensch.de, www.schmidt-haensch.com



ISO 9001:2015